

Plastic square shape photoelectric sensors **PSR** series

**Features**

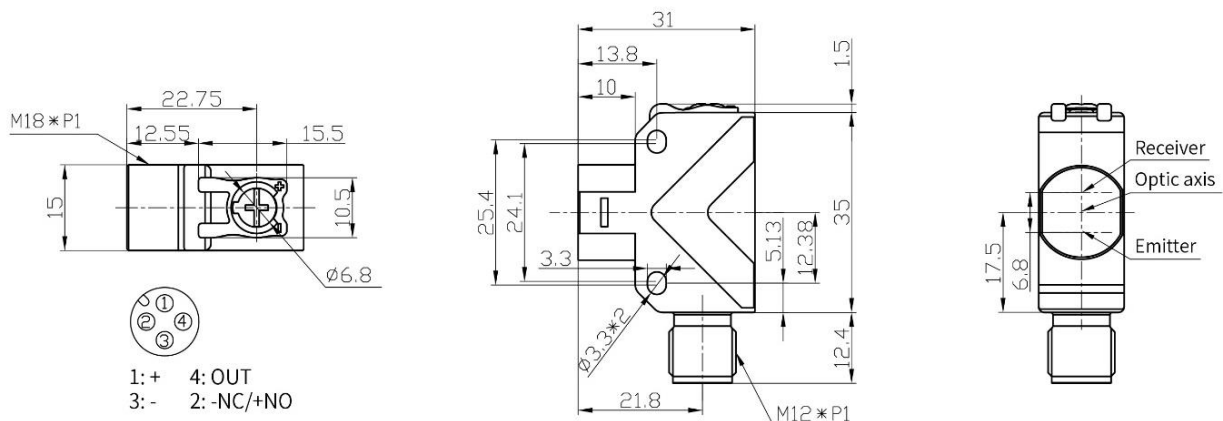
- ◆ 18mm threaded cylinder mounting or side mounting;
- ◆ IP67 suitable for severe environment;
- ◆ 360°bright LED status indicator;
- ◆ Visible light spots for easy installation and debugging.


**Part number**

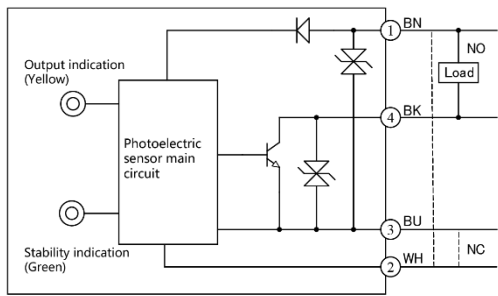
NPN	PSR-BC30DNBR-E2	PNP	PSR-BC30DPBR-E2
-----	-----------------	-----	-----------------

**Technical specifications**

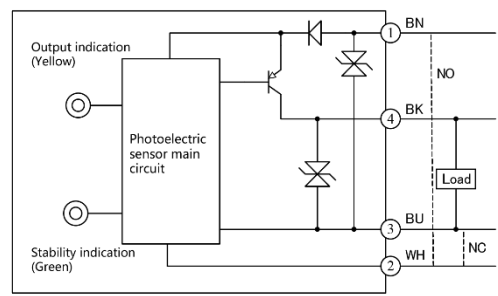
Detection type	Diffuse reflection	Anti-ambient light	Anti-ambient light interference $\geq 10,000lx$ ;
Rated distance [Sn]	5...300mm		Incandescent light interference $\geq 3,000lx$
Light source	Red light (660nm)	Indicator	Green light: power indication, stable indication (blinking means unstable signal)
Light spot	18*18mm@30cm		Yellow light: output indication, short circuit or overload indication (flashing)
Dimensions	31*35*15mm	Ambient temperature	-15°C...60°C
Output	NO/NC	Ambient humidity	35...95%RH (non-condensing)
Hysteresis range [%/Sr]	3...20%	Voltage withstand	1000V/AC 50/60Hz 60s
Supply voltage	10...30VDC	Insulation resistance	$\geq 50M\Omega(500VDC)$
Load current	$\leq 200mA$	Vibration resistance	10...50Hz (0.5mm)
Residual voltage	$\leq 1V$	Degree of protection	IP67
Distance adjustment	Single-turn potentiometer	Housing material	ABS
Consumption current	$\leq 20mA$	Installation method	Composite installation
Circuit protection	Short-circuit, overload, reverse polarity and zener protection	Optical components	Plastic PMMA
Response time	$\leq 1ms$	Weight	10g
NO/NC adjustment	NO: 2 feet is connected to the positive electrode; NC: 2 feet is connected to the negative electrode;	Connection type	M12 connector

**Dimensions**


Wiring diagram



NPN



PNP